

2

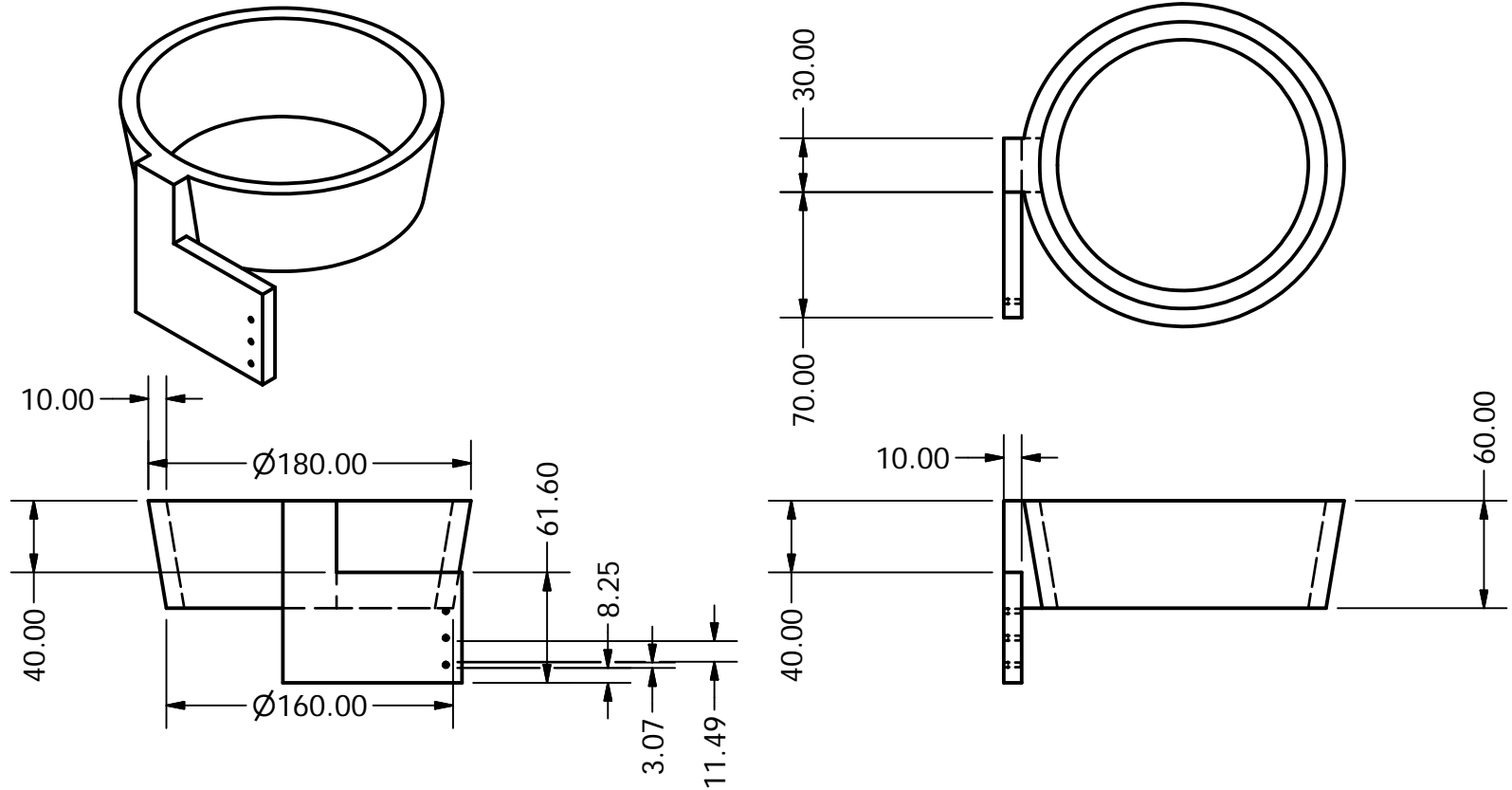
1

B

B

PRODUCED BY AN AUTODESK EDUCATIONAL PRODUCT

PRODUCED BY AN AUTODESK EDUCATIONAL PRODUCT



A

A

| | | | | | | | |
|-------------------|--|------------|--|-----------------------|--------|--------------|-----|
| DRAWN Group 32 | | 11/27/2014 | | Measurements in mm | | | |
| CHECKED | | | | TITLE | | | |
| QA | | | | Funnel and Protrusion | | | |
| MFG | | | | | | | |
| APPROVED | | | | | | | |
| | | | | SIZE | DWG NO | | REV |
| | | | | A | | | |
| | | | | SCALE 1/4 | | SHEET 1 OF 1 | |

2

1