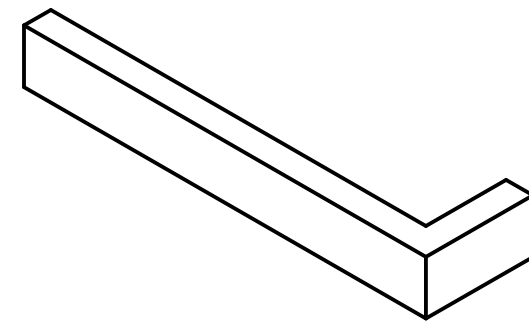
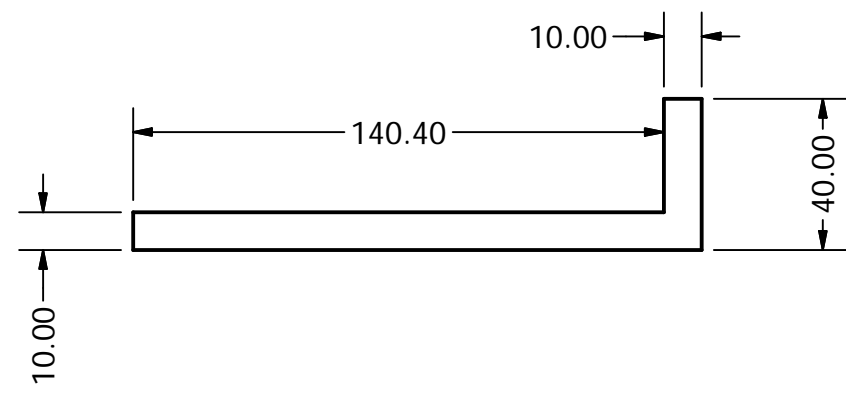


2

1



DRAWN Group 32	11/27/2014	All measurements in mm		
CHECKED		TITLE		
QA		Thin Arm		
MFG				
APPROVED				
		SIZE A	DWG NO thin arm	REV
		SCALE 1/2		SHEET 1 OF 1

2

1

PRODUCED BY AN AUTODESK EDUCATIONAL PRODUCT

PRODUCED BY AN AUTODESK EDUCATIONAL PRODUCT

B

B

A

A