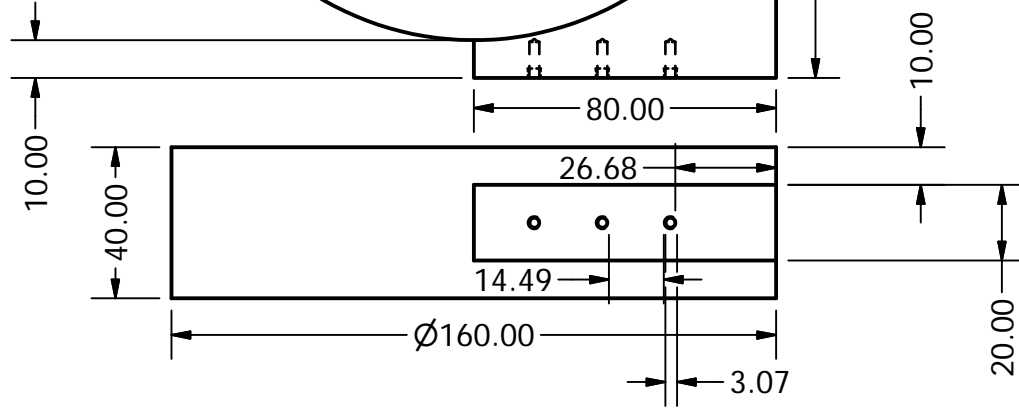
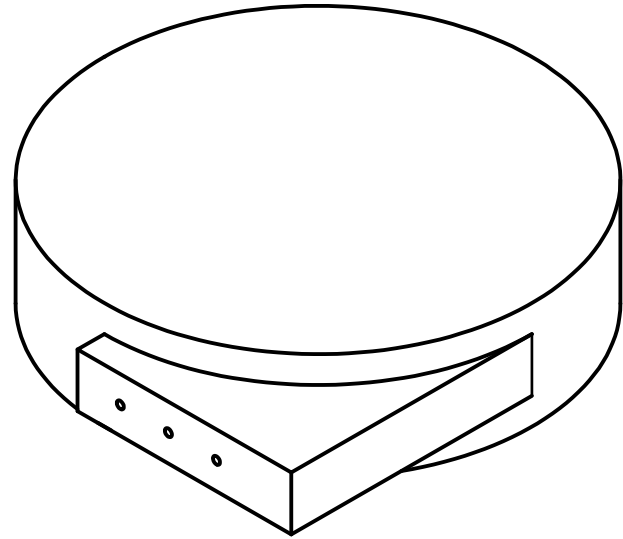
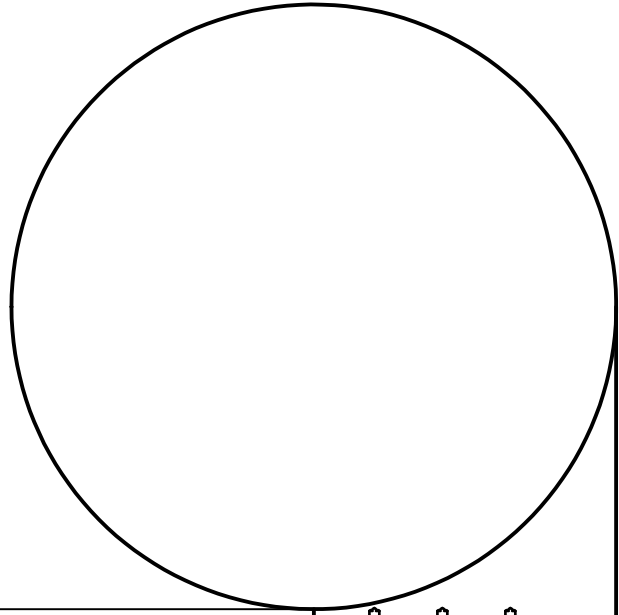


2

1



DRAWN Group 32	11/27/2014	Measurements in mm	
CHECKED		TITLE	
QA		Urocap w/ Protrusion	
MFG			
APPROVED		SIZE	DWG NO
		A	
		SCALE	1/2
		SHEET 1 OF 1	

Measurements in mm

TITLE

Urocap w/ Protrusion

SIZE

A

DWG NO

REV

SCALE 1/2

SHEET 1 OF 1

2

1